

Tiandy



TC-A3563 Spec: 44X/I/A

5MP 44× Super Starlight IR Face Capture AEW PTZ Camera



AI Series

KEY FEATURES

- Auto-Tracking Early Warning (AEW)
- Up to 3072×1728@20fps
- Min. illumination Color: 0.0008Lux@F1.5
- Optical zoom: 44×, digital zoom 16×
- Built-in Speaker
- Support Realtime Brightness Function
- Surge Protection 6KV
- Support Human/Vehicle Classification
- Face Capture/intelligent monitoring mode
- Smart IR, IR Range: 180m
- S+265/H.265/H.264/M-JPEG
- IP66
- CE, FCC



Tiandy Technologies Co.,Ltd.

Email: sales@tiandy.com

Tel: +86-22-58596065

Website: en.tiandy.com

Fax: +86-22-58596048



SPECIFICATIONS

Camera	
Image Sensor	1/1.8" CMOS
Signal System	PAL/NTSC
Min. Illumination	Color: 0.0008Lux@ (F1.6, ACG ON)
Shutter Time	1s to 1/100,000s
Day & Night	Dual IR Cut Filter
Wide Dynamic Range	True WDR
Optical Zoom	44×
Digital Zoom	16×
Lens	
Focal Length	6mm~264mm
Zoom Speed	<5s
Angle of View	Horizontal filed of view: 61.8° (w)~2.3° (t)
Aperture Range	F1.6~F5.3
Pan&Tilt	
Pan Range	360°
Pan Speed	Pan Manual Speed: 0.1°~180°/s, Pan Preset Speed: 240°/s
Tilt Range	-16°~90° (Auto flip)
Tilt Speed	Tilt Manual Speed: 0.1°~120°/s, Tilt Preset Speed: 180°/s
3D Position	Yes
Presets	500
Preset Accuracy	±0.4°
Scan	8
Cruise	16, up to 32 presets per cruise
Pattern	8, each with 600s memory or 1000 orders
Power-off Memory	Yes
RS-485 Protocols	DOME_PELCO_D, DOME_PELCO_P, DOME_PLUS
Illuminator	
IR LEDs	8
IR Range	Up to 180m
IR Irradiation Angle	Adjustable by Zoom
White LEDs	2
Compression Standard	
Video Compression	S+265/H.265/H.264/M-JPEG
Video Bit Rate	32 Kbps to 16 Mbps
Audio Compression	G.711A/G.711U/ADPCM/AAC
Audio Bit Rate	8K~48Kbps
Image	
Max. Resolution	3072×1728
Main Stream	PAL: 20fps (3072×1728), 25fps (2560×1440, 2304×1296), 50fps (1920×1080, 1280×960, 1280×720) NTSC: 20fps (3072×1728), 30fps (2560×1440, 2304×1296), 60fps (1920×1080, 1280×960, 1280×720)
Sub Stream	PAL: 25fps (704×576, 704×288, 640×360, 352×288) NTSC: 30fps (704×480, 704×240, 640×360, 352×240)
Third Stream	PAL: 25fps (352×288) NTSC: 30fps (352×240)
Image Setting	Saturation, brightness, contrast, sharpness, adjustable by client software or web browser
Image Enhancement	BLC/3D DNR/HLC
ROI	7 Dynamic Areas for Both Main and Sub Stream, support auto-tracking ROI
OSD	16×16, 24×24, 32×32, 48×48, 64×64, 96×96, adaptable size, Letters Such as Week, Date, Time, Total 5 Regions
Picture Overlay	Yes
Privace Mask	Yes
Smart Defog	Yes



Feature	
Alarm Trigger	Harsh Voice Alarm, Motion Detection, Mask Alarm, Port Alarm, Network Disable Alarm, IP Conflict, MAC Conflict Detection
Video Analytics	Tripwire, Double Tripwire, Perimeter, Object Abandon, Object Lost, Loitering, Running, Parking, Face Detection, People Counting, Crowded, On Duty Detection, Video Abnormal, Audio Abnormal, Heatmap, Safety Helmet Detection
Early Warning(EW)	Yes
Auto-Tracking	Yes
Face Detection and Analytics	
Operating Mode	Face capture, intelligent monitoring optional, default face capture
Face Detection Performance	Detects up to 16 faces at the same scene
Face Exposure Brightness	Default 35, 1-100 brightness optional
Min. Face Pixel	Default 80, 19-1920 optional
Face Recognition	N/A
Face Library	N/A
Face Pictures	N/A
Face Library Management	N/A
Face Recognition Alert	N/A
Precautionary Alert	Three level
Network	
Protocols	TCP/IP, ICMP, HTTP, HTTPS, DHCP, DNS, DDNS, MULTICAST, UPnP, FTP, IPV4, NTP, RTSP, SMTP, SNMP, IGMP, IEEE802.1x, QoS, PPPoE
System Compatibility	ONVIF (PROFILE S), SDK, CGI, P2P
ANR	Auto store video in SD card when NVR disconnected, and upload video to NVR when resumed connection (Only Support Tiandy ANR NVR)
Remote Connection	≤7
Client	Easy7, EasyLive
Web Version	Web6 (Internet Explorer, Google Chrome, Mozilla Firefox)
Interface	
Communication Interface	1 RJ45 10M/100M self adaptive Ethernet port
Audio	1/1
Alarm	8/2
Reset Button	Yes
On-board storage	Built-in MicroSD card slot, up to 128 GB
RS-485	Yes
BNC	Yes
Wiper	Yes
General	
Firmware Version	NVSS_V20.3.1.20190612
Web Client Language	12 languages English, Russian, Spanish, Korean, Italian, Turkish, Simple Chinese, Traditional Chinese, Thai, French, Polish, Dutch
Operating Conditions	-30°~65°C, 0-95% RH
Power Supply	AC24V±15%
Power Consumption	22W (IR OFF), 45W (IR ON)
Protection	IP66
Heater	N/A
Dimensions	Φ222x372 mm (Φ8.74×14.65 inch)
Weight	5.5kg (12.13lb)

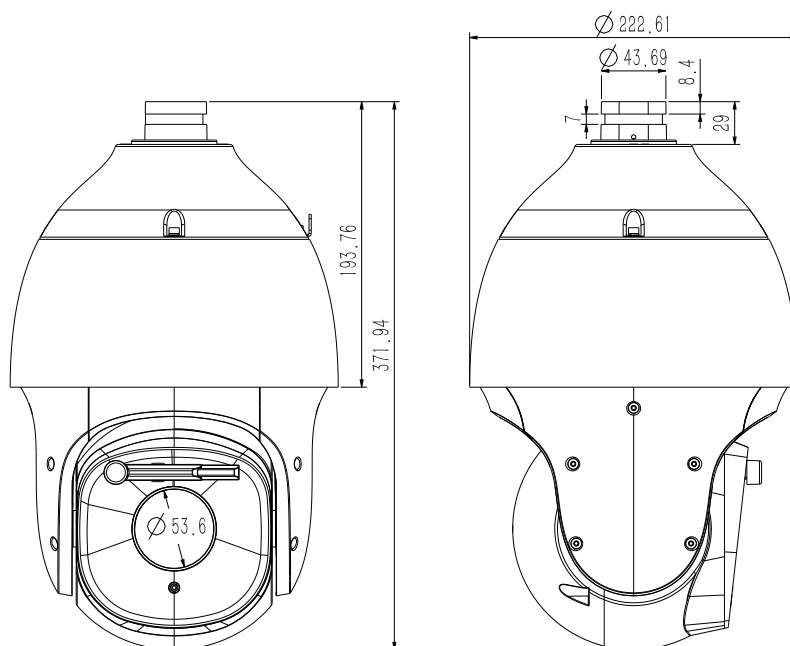
* Listed resolutions are only selectable options. It does not mean that all streams can work at their maximum resolution at the same time.

AVAILABLE MODEL

TC-A3563 SPEC: 44X/I/A

Tiandy

DIMENSIONS (Unit: mm)



ACCESSORIES

INCLUDED



DF20Y
Wall Mount

OPTIONAL



A37
Installation Adapter



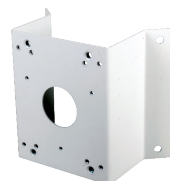
A38
Ceiling Mount



DF21Y
Pendant Mount



A36
Pole Mount



A35
Corner Mount



811
Junction Box

DISTRIBUTED BY



Tiandy Technologies Co.,Ltd.

Email: sales@tiandy.com

Tel: +86-22-58596065

Website: en.tiandy.com

Fax: +86-22-58596048